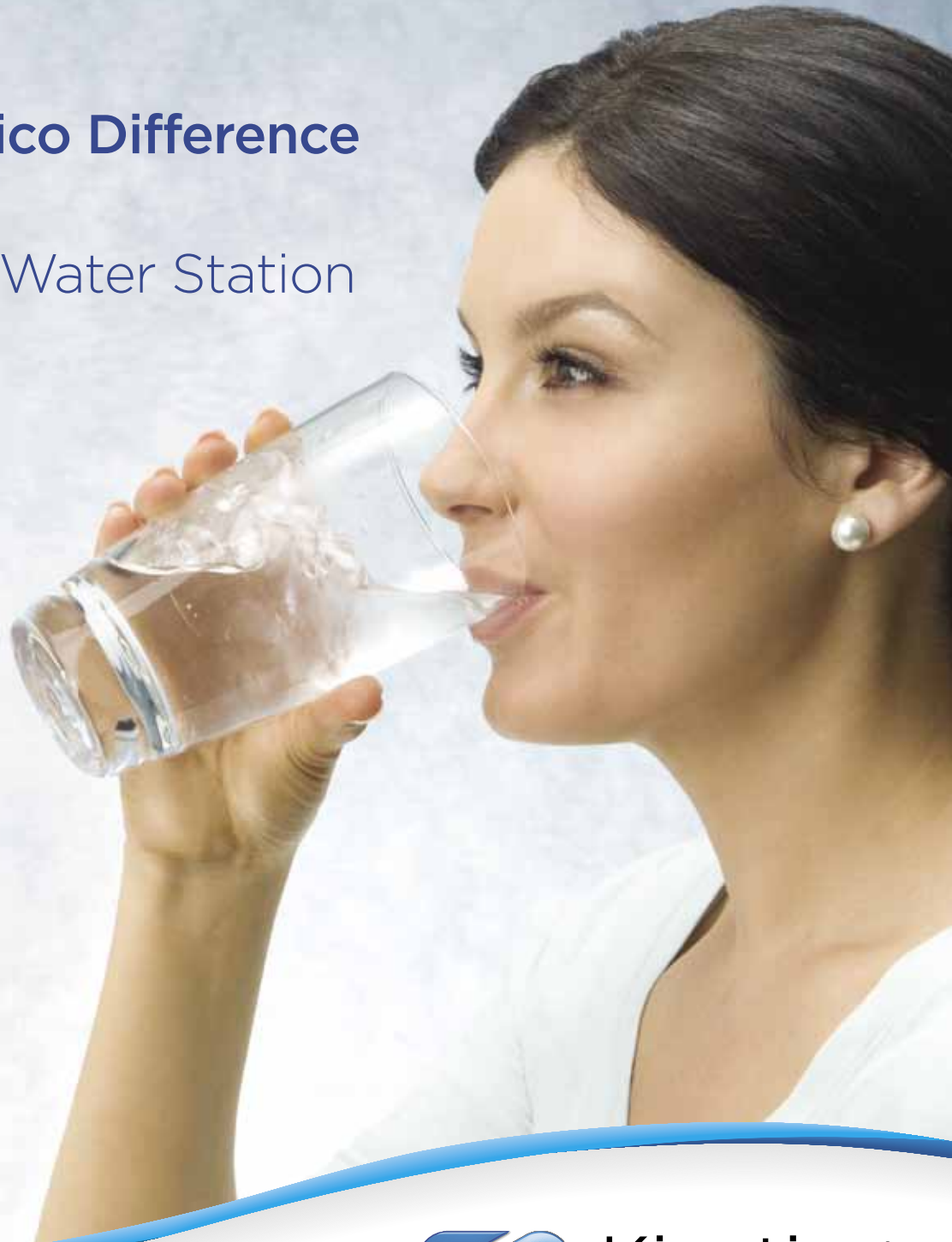


# Taste the Kinetico Difference

## K5 Drinking Water Station



 **Kinetico**<sup>®</sup>  
home water systems

Protection against a wide variety of contaminants

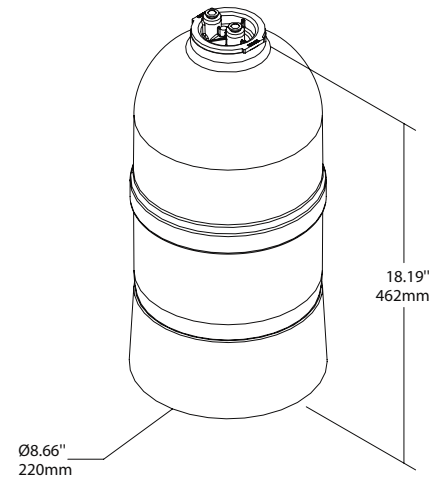
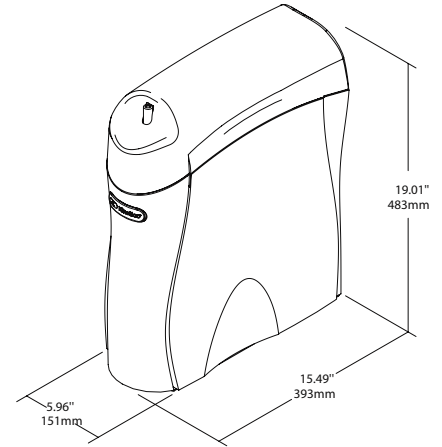
Maximum Water Efficiency

Flexible and Expandable to meet any drinking water need

Flow from faucet is up to two times greater than any other drinking water system

## What Makes The Kinetico K5 Drinking Water Station Different?

- 1. Cartridge Options.** Eight different options to meet your removal needs now and in the future. Includes the Purefecta<sup>®</sup> Virus/Bacteria Guard for microbiologically pure water. The Mineral Plus cartridge improves the taste and health benefits of water by adding magnesium and calcium back into the treated water. Cartridges also available for arsenic, chloramines, chlorine/sediment, sediment, perchlorate and VOC reduction. Final polish with carbon post filter.
- 2. QuickFlo Technology.** Delivers a strong flow of water from the faucet. Allows system to produce more water in less time.
- 3. High Daily Production.** Can produce more than 40 gallons per day.
- 4. Quick Disconnect Sanitary Filter Cartridges.** Makes changing filters easy.
- 5. Patented, Exclusive EverClean<sup>®</sup> Rinse.** Consistently-high water quality. Increases membrane life - lowers maintenance cost.
- 6. PureMometer<sup>®</sup> Filter Life Indicator.** Shows filter capacity.
- 7. Patented, Tamper-Proof MACguard<sup>®</sup> Filter.** No more wondering when to change cartridges. Assures high quality water and peace of mind.
- 8. Automatic System Shutdown.** Conserves water - doesn't run water continuously to drain.
- 9. Exclusive Designer Faucet.** Lead-free, stylish design available in a variety of finishes.
- 10. Non-Electric, Totally Automatic.** No electrical problems.
- 11. Efficient Operation.** Conserves water, lower operating costs.
- 12. Outstanding Warranty.** Dependability, peace of mind.



### Independent Laboratory Certification

Select Kinetico products are tested and certified by Independent Laboratories such as NSF. For specific claims and certifying laboratories, refer to performance data sheets or consult your local Kinetico Dealer.

\* Information on the performance characteristics of Purefecta<sup>®</sup> can be found at [www.epa.gov/etv](http://www.epa.gov/etv) or call 1.440.564.9111 for a copy of the ETV verification report. Use of the ETV name or logo does not imply approval or certification of this product nor does it make any explicit or implied warranties or guarantees as to product performance.

